

## Pressure Water Cooler



(SCW 14) Vers. "B"

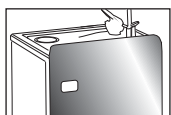
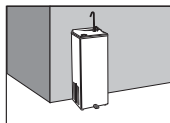


(SCW 14) Vers. "FP"

# NEW



SCW 14B



Stainless Steel  
Back Panel  
(standard)



SCW 14B

### SCW 14 Technologies



						 [WxDxH mm] 400x330x1040
		[°C]	[°F]	[l/h]	[gal./h]	
SCW 14 B		8 ÷ 12	46 ÷ 53	50	13.2	[WxDxH inches] 16x13x41
SCW 14 FP		8 ÷ 12	46 ÷ 53	50	13.2	
						 230/50-60/1
						 R 134 a

Note: AISI 304 stainless steel

This product qualifies for the following listings:



Note:

SCW 14 B complete with: projector - glass filler - foot pedal

SCW 14 FP complete with projector foot pedal

Optional: glass filler

## 2 Years Warranty

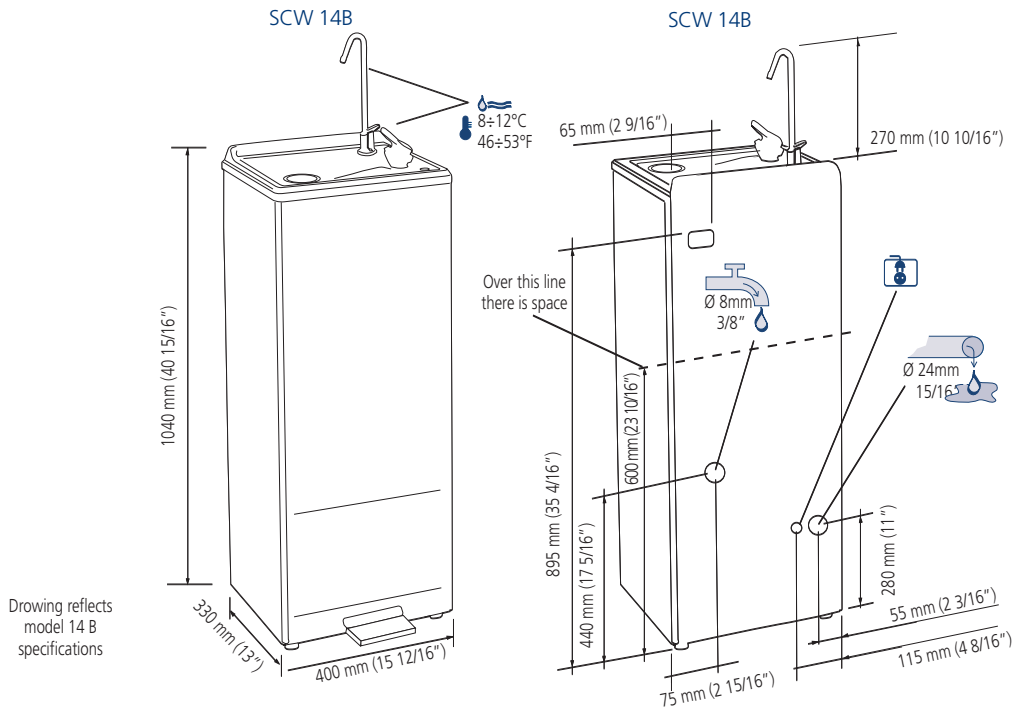
Subject to certain limitations and exclusions

Certified ISO 9001:2000

[www.scotsman-ice.it](http://www.scotsman-ice.it)  
[www.scotsman-ice.com](http://www.scotsman-ice.com)  
[www.scotsman-ice-on-tablet.com](http://www.scotsman-ice-on-tablet.com)

Models and specifications are subject to change without notice.

## Pressure Water Cooler



Can be used free standing or wall tight to avoid unsightly connections. Exclusive Projector Design: 2-stream mound-building projector and automatic stream regulator. Plumbing Connections: enter directly into cabinet. Waste 24 mm (1") IPS. Supply 8 mm (3/8") IPS. Finish: stainless steel.

Minimum		Maximum
10°C (50°F)		40°C (104°F)
5°C (41°F)		35°C (95°F)
-10%		+10%
1 BAR 14 psi		5 BAR 70 psi

	+C° -C°	[Btu/h] [W]	[Ømm²]	[W]	FUSE	[kWh]	[kg]	[lbs]	[kg]	[lbs]
SCW 14 B		1208 353	3x1	250	10	0,25	33	73	36	79
SCW 14 FP		1208 353	3x1	250	10	0,25	33	73	36	79