

Other models in this range:
P-MV606
P-MV806
P-MV1006

P-MV Cube Ice Machines up to 240 Kg



P-MV 456 with B393 (sold separately)



Communicates operational information



Electric conductivity-based water sensor



P-MV456+SB393 (sold separately)



P-MV456+SB530 (sold separately)



P-MV456+SB550+KBT253 (sold separately)



P-MV456+SB948+KBTMV948 (sold separately)

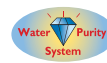


P-MV456+SB1025 (sold separately)

Standard Features

- **"Global Standard" width- 30"** (76.20 cm) wide
- **Auto-alert indicator lights-** communicate about operating status. External indicator lights actually signal your staff when it is time to descale, sanitize, and more - making upkeep practically foolproof
- **WaterSense-** The patented WaterSense adaptive purge control delivers maximum reliability by reducing scale buildup for a longer time between cleanings
- **Front-facing Evaporator-** Ice forming process inspection and routine cleaning operations may be accomplished simply removing the front panel.
- **Hand-removable water distribution tube-** routine cleaning has never been so easy!
- **Preventative Maintenance-** a diagnostic code display guides the decisions regarding opening a service call by providing a clear description of any running problem, and maximises service tech's "first time fix" success rate.
- **Embedded antimicrobial-** Ag-Ion® antimicrobial is present in selected food-zone components
- **External Components-** All external panel components are crafted for optimal aesthetic appeal through superior fit and finish
- **Reusable air filter** is easily removable from the outside for ease of cleaning (in air-cooled models)
- **California Energy Commission-** meets or exceeds CEC guidelines

P-MV456 Technologies



		24h				
		21°: 10°C	32°: 21°C			
		[kg] [lbs] N°	N°*	[kg] [lbs] N°	N°*	[WxDxH mm]
P-MV456 AS		220 485 22000	155 342 15500			760x620x575
P-MV456 WS		215 474 21500	185 408 18500			[WxDxH inches]
P-MVH456 AS		220 485 36520	155 342 25730			2915/16"x 247/16"x 2210/16"
P-MVH456 WS		215 474 35690	185 408 30710			
				[v/Hz/ph]	R 404 a	
				220-240/50/1		

This product qualifies for the following listings:



Medium Cube - 10 g
W 23 x D 23 x H 26 mm



Small Cube - 6 g
W 11 x D 23 x H 26 mm

2 Years Warranty

Subject to certain limitations and exclusions

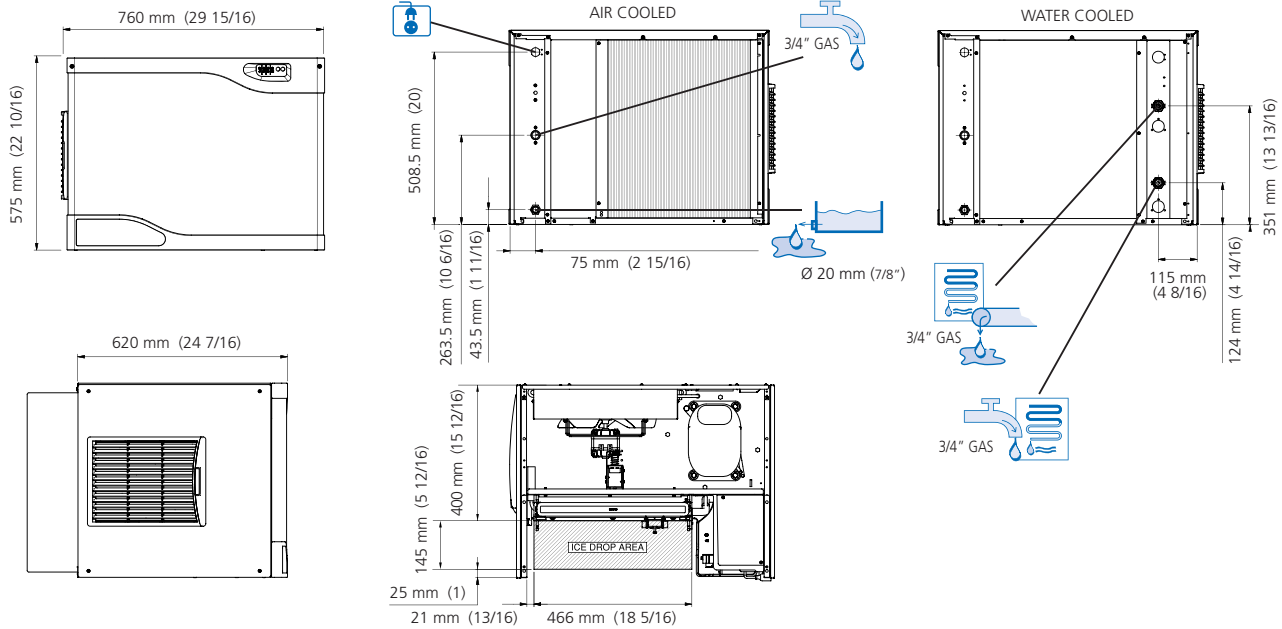
Certified ISO 9001:2000

www.scotsman-ice.it
www.scotsman-ice.com
www.scotsman-ice-on-tablet.com

Models and specifications are subject to change without notice.

Other models in this range:
P-MV606
P-MV806
P-MV1006

P-MV Cube Ice Machines up to 240 Kg



P-MV456 AIR COOLED

°C / °F	°F				kg
	50°	60°	70°	90°	
10°	240	230	215	185	kg
50°	529	507	474	408	lbs
21°	220	215	200	175	kg
70°	485	474	441	386	lbs
32°	165	160	155	135	kg
90°	365	353	342	298	lbs
38°	140	138	133	120	kg
100	309	302	293	265	lbs



P-MV456 WATER COOLED

°C / °F	°F				kg
	50°	60°	70°	90°	
10°	220	215	200	175	kg
50°	485	474	441	386	lbs
21°	215	210	195	170	kg
70°	474	463	430	375	lbs
32°	197	192	185	160	kg
90°	434	423	408	353	lbs
38°	190	185	180	155	kg
100	419	408	397	342	lbs



Minimum	Maximum
10°C (50°F)	40°C (104°F)
5°C (41°F)	35°C (95°F)
-10%	+10%
1 BAR 14 psi	5 BAR 70 psi

	+C° -C°	[Btu/h] [W]	[Ømm²]	[W]	FUSE	[kWh] - 100 Kg	[l/h] [gal/h]	[kg] [lbs]	[kg] [lbs]
P-MV456 AS	32°C 90°F 21°C 70°F	9000 2650	3x1,5	1000	16 A	14.8	12 3,2	70 154	85 187
P-MV456 WS	32°C 90°F 21°C 70°F	9000 2650	3x1,5	850	16 A	10.6	128 33,8	70 154	85 187
P-MVH456 AS	32°C 90°F 21°C 70°F	9000 2650	3x1,5	1000	16 A	14.8	12 3,2	70 154	85 187
P-MVH456 WS	32°C 90°F 21°C 70°F	9000 2650	3x1,5	850	16 A	10.6	128 33,8	70 154	85 187

CONTACT POINTS:

Europe
Scotsman Europe-Frimont S.p.A.
Ph/Fax +39-0293960208 / 0293960201
scotsman.europe@frimont.it
Paolo Moro

Middle East & N. Africa
Scotsman-Frimont Regional Office (ME/NA)
Ph/Fax +97-16 5262944 / 165262946
m.dawood@frimont.ae
fernando.m@frimont.ae

Asia and Pacific
Scotsman Industries (S) PTE. L.T.D.
Ph/Fax +65-67385393 / 67381959
scotsman@scotsman.com.sg
Andrea Tronci

South Africa
Scotsman SA (Pty) Ltd - Ice Systems (Pty) Ltd
Ph +27-0105900609 / 0877200245/6/7/8
Fax: +27-118264123 / 0866340803
stuart@scotsmansa.co.za - jennifer@scotsman.co.za

India
Scotsman Group India
Ph/Fax: +91-1244002459 / direct 9560072459
david.owen@scotsman.com.sg

Spain
Scotsman España, S.L.U. c/ Galapagar, 12
Ph/Fax +34-911109796 / 916337423
scotsman@scotsman-espana.es
Daniel Doblado

China
Scotsman Ice Systems (Shanghai)
Ph/Fax: +86-2161313200 / 2161313330
scotsman.shanghai@scotsman-china.com
Andrew Clayton