

Other models in this range:  
 MAR 56 - MAR 76 - MAR 106  
 MAR 126 - MAR 306  
 Split versions:  
 MAR 78 - MAR 128 - MAR 208  
 MAR 308

## Scale Ice Maker Units up to 1850 Kg



ABS Ice Chute Cover: sold separately.



Gear box protection (hall effect)



Easy to remove water sump



Pulleys & belt system allows to modify ice thickness



### Features

- Modular scale ice machine, production up to 1850 Kg in 24h (@ 1 mm. ice thickness)
- Scale ice machine, in "compact system" version; built-in unit
- Storage bin not supplied, to be purchased separately
- AISI304 Stainless steel evaporator and ice scraper blade
- Redesigned evaporator compartment end-walls
- Foodgrade ABS plastic water sump tray, easy remove for cleaning and sanitising
- Electromechanical control panel
- Electrical protections, rotation speed & reverse phase controls
- Low- water sensor protection
- Hermetic compressor
- Choice of air or water cooled condenser
- Drive motor / gear reducer with V-Belt drive
- Storage bin thermostatic ice level sensor
- Stainless steel panels in scotch-brite finish, with rounded corners, easy to remove for maintenance

### Accessories & Optional Features (to be specified upon order):

- Ice spout cover (COVERMARL0000)
- Ice chute extension 90cm (KICMAREXT0001)
- Double ice chute 65cm (KICMARDOUBL02)
- Infrared ice sensor (replaces the thermostatic ice level control) ICE SENSOR0003
- UV lamp water sanitising system for bacterial control (KITUVLAMPMAR1)
- ON/OFF manual switch, with daily timer (KITTIMER0001)
- ON/OFF manual switch, with weekly programmable timer (KITTIMERSET01)

### MAR 206 Technologies



		 24h	THICK ICE		THIN ICE		NOMINAL ONLY		 [WxDxH mm] 1326x853x1125 [WxDxH inches] 52 3/16 x 33 9/16 x 44 5/16
			2 mm		1 mm		0,5 mm		
			[kg]	[lbs]	[kg]	[lbs]	[kg]	[lbs]	
MAR206 AS			1570	3461	1700	3748	2291	5051	 [v/Hz/ph] 400/50/3N  R 404 A
MAR206 WS			1650	3638	1850	4079	2393	5276	



MAR 206+B2250 (sold separately)



MAR 206+B3200 (sold separately)



MAR 206+B4600 (sold separately)



MAR 206+ITS2250 (sold separately)



MAR 206+ITS3250 (sold separately)

This product qualifies for the following listings:



Humidity 2%

Ice scales are the coldest form of ice. Formed at -6° to -12°Celsius, they are very dry, containing less than 2% residual water. Scales look like fragments of glass, have an irregular shape and a thickness that can be adjusted at 1 or 2 mm.

**2** Years Warranty

Subject to certain limitations and exclusions

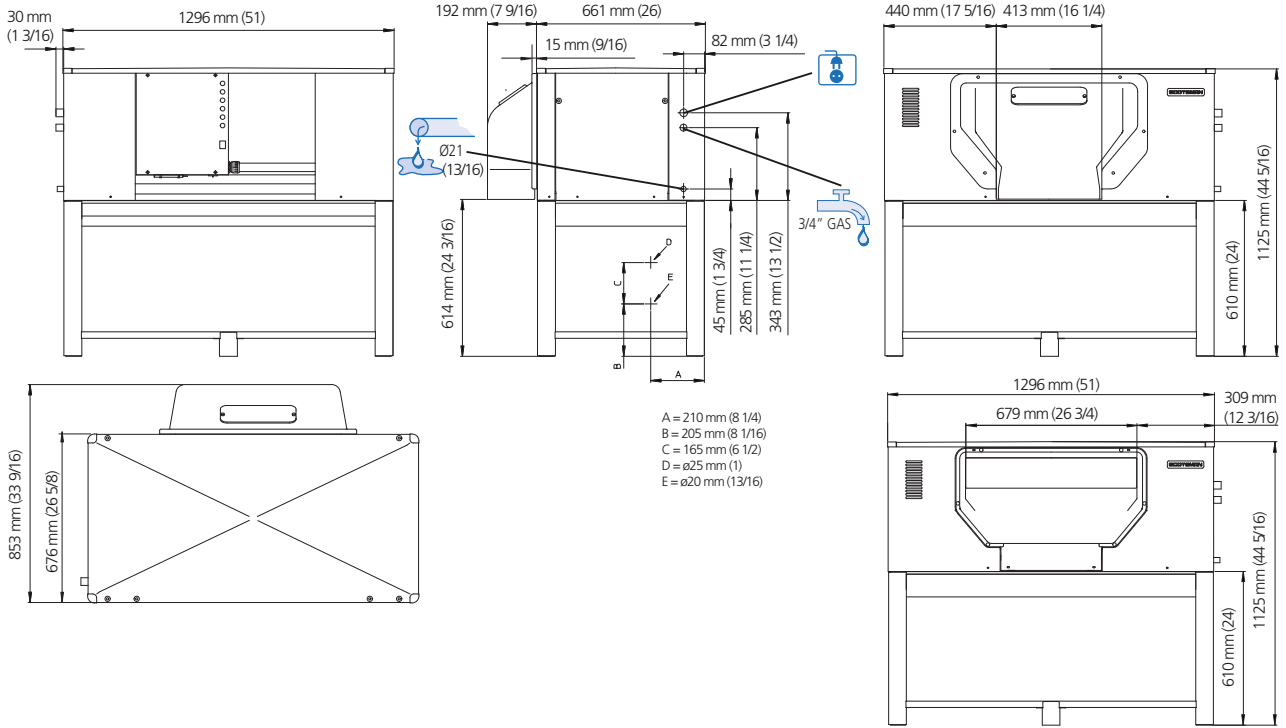
Certified ISO 9001:2000

[www.scotsman-ice.it](http://www.scotsman-ice.it)  
[www.scotsman-ice.com](http://www.scotsman-ice.com)  
[www.scotsman-ice-on-tablet.com](http://www.scotsman-ice-on-tablet.com)

Models and specifications are subject to change without notice.

Other models in this range:  
 MAR 56 - MAR 76 - MAR 106  
 MAR 126 - MAR 306  
 Split versions:  
 MAR 78 - MAR 128 - MAR 208  
 MAR 308

## Scale Ice Maker Units up to 1850 Kg



### MAR 206 AS

°F	°C				kg
	50°	60°	70°	90°	
10°	1570	1480	1390	1210	kg
50°	3461	3236	3064	2668	lbs
21°	1540	1450	1360	1180	kg
70°	3395	3197	2998	2601	lbs
32°	1480	1390	1300	1120	kg
90°	3263	3064	2866	2469	lbs
38°	1460	1370	1280	1100	kg
100	3219	3020	2822	2425	lbs



WITH THICK ICE SETTINGS

### MAR 206 WS

°F	°C				kg
	10°	15°	21°	32°	
10°	1650	1600	1500	1300	kg
50°	3638	3527	3307	2866	lbs



WITH THICK ICE SETTINGS



Minimum

10°C (50°F)



Maximum

40°C (104°F)

5°C (41°F)

-10%

1 BAR  
14 psi

35°C (95°F)

+10%

5 BAR  
70 psi

	 +C° -C°	 (T cond.+45°C - T evap.-25°C) ASERCOM Conditions [W] [Btu/h]	 [Ø mm²] [AWG]	 [W]	 FUZE [A]	 [kWh] - 100 Kg	 [l/h]	 32°C 90°F 21°C 70°F [gal/h]	 [kg] [lbs]	 [kg] [lbs]
MAR206 AS		7100 24200	5x2,5 AWG13	7000	24 A	13,1	54	14,3	351 772	374 823
MAR206 WS		7100 24200	5x2,5 AWG13	6000	24 A	9,6	1200	317	347 763	369 812