

BAR LINE - Self Contained Machine - Casinò Ice

BAR LINE
ICE - MACHINES



BS 305 AS

Bar-Line Equipment range is the well-known EU-made line of ice machines used and appreciated by many for its reliability. Built in the Italian manufacturing plant of Frimont Spa, ISO 9001 Certified, these units are built with sturdy, corrosion resistant stainless steel, and feature European-made components to assure maximum ice-quality and machine longevity. Quality tested one-by-one, the Bar-Line self-contained units feature a well balanced ratio between production and storage capacity, alongside with reduced outer dimensions that allow for built-in installations. Contemporary, elegant design unites excellent operational features with the reliability obtained through years of successful experience in ice making technology.

- ✓ Space-saving (762 mm) wide undercounter design.
- ✓ Produces up to 135 kg of ice per day.
- ✓ Harvest Assist provides consistent ice production for the life of the ice maker while reducing energy consumption and increasing capacity.
- ✓ Pure Ice® exclusively by Bar Line. Built-in antimicrobial protection for the life of the ice maker inhibits bacteria growth on ice maker surfaces. Bar Line's optional water filtration system provides protection against unpleasant tastes, odors and scale formation.
- ✓ Durable, electroless nickel plating on all evaporator plates ensures reliability.
- ✓ Longest warranty in the industry. Purchase an Bar Line water filter with your cube ice maker, replace the filter every six months, and the evaporator warranty is extended to 7 years parts and labor (available in the U.S. and Canada only).
- ✓ Constructed from corrosion-resistant stainless steel and fingerprint-proof plastic.

BS 305

Also available:
BAR LINE BM 305,
BM 325, BM 405,
BM 525, BM 605,
BM 805, BM 1005.
See pertaining literature
for more details

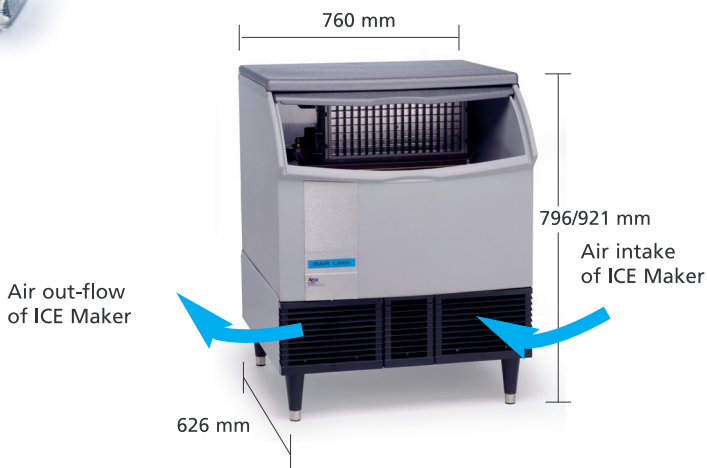
BAR LINE

ICE - MACHINES

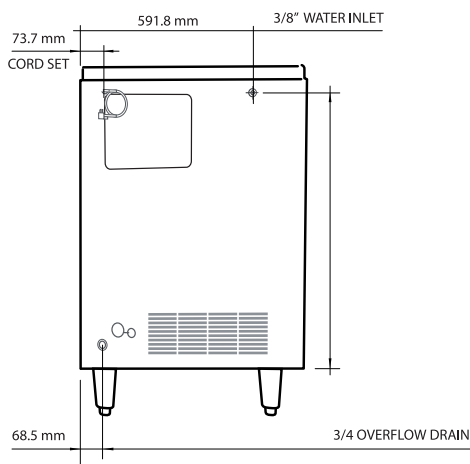


BS 305

Also available:
BAR LINE BM 305,
BM 325, BM 405,
BM 525, BM 605,
BM 805, BM 1005.
 See pertaining literature
 for more details



BS 305 AS



OPERATING LIMITS

Air Temp. Range	10°C - 40°C
Water Temp. Range	5°C - 35°C
Water Pressure	Min. 1 bar Max. 5 bar
Electrical Voltage	230V/50Hz/pH (on selected models)

All specifications and performance data are subject to normal manufacturing variances.

All units have stainless steel finish.
 Refrigerant: R 404A



Installation Note: allow 152 mm minimum space at back for utility connections.

ORDERING AND SPECIFICATION INFORMATION

Model No.	Cond. Unit	ICE Production per 24 hrs. at 10°C Air/10°C Water Kgs.	Bin Storage Kgs.	Voltage Characteristics	Refrigerant	Water Consumption Lt/60'	Electric Consumption kwh/24h	Net Weight Kgs.	Max. Shipping Weight Kgs.
BS 305 AS	Air	136	59	230/50/1	R 404A	18,58	7,7	51	97



We reserve the right to make changes in design and construction at any time without obligation.
 ADV-Bar-Line 9/2010



Frimont S.p.A.
 Via Lainate 31/b - 20010 Pogliano Milanese - (Milano) Italy
 Tel. +39.02.93960.239 - Fax +39.02.93960.201
 barline@frimont.it - www.barline.it