

Self Contained Ice Machine up to 200 Kg



Features

- Produces granular shape ice flakes, 80% hardness
- Up to 200 kg (440 lbs) daily production
- Up to 60 kg (132 lbs) ice storage capacity
- Ice scoop holder safely positioned in ice-storage bin
- Resistant stainless steel exterior
- Advanced diagnostics computerized control
- Front panel in & out airflow (air-cooled model only) for built-in installation
- Front access condenser air filter, removable and washable (air cooled version only)
- Easily accessible, front panel mount, ON-OFF Switch
- Easy, front panel access to technical / service area of the machine
- Routine Maintenance visible alarm light on front panel
- Ergonomically designed ice storage access, with disappearing door
- Door-closing movement dampening system
- Vapor-based microbial control system pouch in ice storage area
- Optional PWD System for remote water drain (easy-fit installation)
- AgION antimicrobial agent embedded in molded plastics parts
- CFC-free R-404A Refrigerant
- 2 years manufacturer warranty on defective components

Easy bin access



Hygienic scoop holder



Proximity condenser air filter

Routine Maintenance Alarm



Front ON-OFF Switch



Electronic



Recessed Connections Panel

AF 206 Technologies



	Icon	10°: 10°C		21°: 15°C		[kg] [lbs]	[kg] [lbs]	[WxDxH mm] 950x605x1006
		[kg] [lbs]	[kg] [lbs]	[kg] [lbs]	[kg] [lbs]			
AF 206 AS		200	441	185	407,5	60	132	[WxDxH inches] 37 3/8"x23 13/16"x39 5/8"
AF 206 WS		200	441	190	419	60	132	[v/Hz/ph] 230/50/1

This product qualifies for the following listings:



Flake Ice
Residual water content 20%



Ice in its most natural form, made at a temperature just below zero degrees Celsius, contains 20% residual water content, making it very moist. Its flake shape makes it extremely versatile and very simple to use effectively.

2 Years Warranty

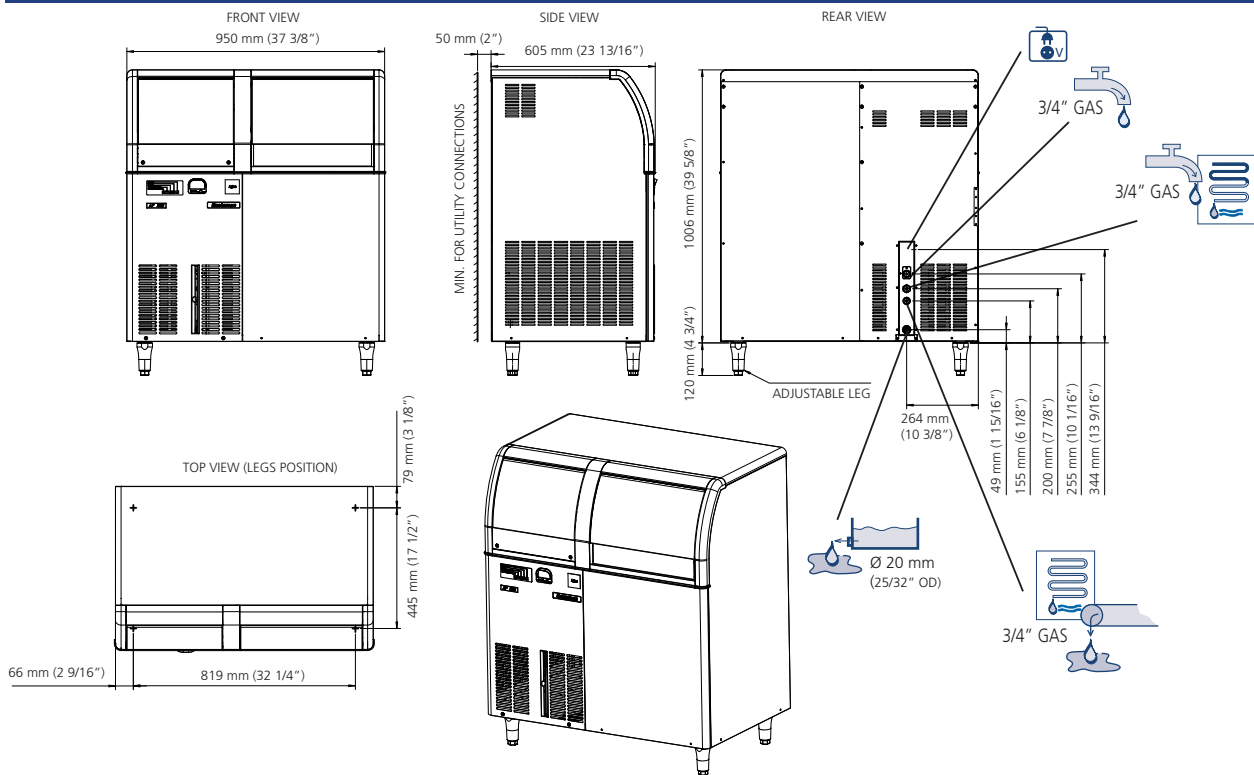
Subject to certain limitations and exclusions

Certified ISO 9001:2000

www.scotsman-ice.it
www.scotsman-ice.com
www.scotsman-ice-on-tablet.com

Models and specifications are subject to change without notice.

Self Contained Ice Machine up to 200 Kg



AF 206 AIR COOLED

°C °F	°C				kg
	10°	15°	21°	32°	
10°	200	193	186	172	kg
50°	441	425,5	410	379	lbs
21°	192	185	178	164	kg
70°	423	407,5	392,5	361,5	lbs
32°	169	162	155	141	kg
90°	272,5	357	341,5	311	lbs
38°	153	146	139	125	kg
100	337	322	306,5	275,5	lbs



AF 206 WATER COOLED

°C °F	°C				kg
	10°	15°	21°	32°	
10°	200	193	186	172	kg
50°	441	425,5	410	379	lbs
21°	197	190	183	169	kg
70°	434	419	403,5	272,5	lbs
32°	189	182	175	161	kg
90°	416,5	401	385,5	355	lbs
38°	183	176	169	155	kg
100	403,5	388	272,5	341,5	lbs



Minimum

10°C (50°F)



Maximum

40°C (104°F)

5°C (41°F)



35°C (95°F)

-10%



+10%

1 BAR
14 psi



5 BAR
70 psi

Model	Compressor	Capacity [Btu/h] [W]	Ice Size [Ømm ²]	Power [W]	FUSE	Energy [kWh] - 100 Kg	Water [l/h]	Ice [gal/h]	Weight [kg] [lbs]	Dimensions [kg] [lbs]
AF 206 AS		6480 1900	1,5	760	10	11,2	6,5	1,7	77 169	90 198
AF 206 WS		6480 1900	1,5	650	10	9	99,4	26,2	77 169	90 198